



Hotel Room Annunciator Kit

Audible and Visual Signals

7005-G5

FEATURES

- > High intensity strobe
- > Neutral white color
- > Fits single gang box

AGENCY APPROVALS

- > Transformer UL Listed and horn/strobe UL Listed
- > Horn/strobe UL 1638 Listed

SPECIFICATIONS

- > Transformer primary: 120V AC; secondary: 24V AC
- > Horn/strobe current draw: 175 mA at 24V 50/60 Hz; 125 mA at 24V DC
- > Strobe output: 50 cd on-axis

The Edwards 7005-G5 Hotel Room Annunciator is for use in hotel rooms and other areas designed to accommodate those with audible, visual, or physical impairments. The kit consists of a Cat. No. 6536-G5 horn/strobe for audible and visual signaling, a Cat. No. 620 push button, a Cat. No. 147-10 mounting plate, and a Cat. No. 592 transformer. Each component may also be ordered individually. See the applicable component catalog page for a detailed description of that component.

Use in public and private rest rooms.

6536-G5 Horn/Strobe

The Cat. No. 6536-G5 Horn/Strobe is designed for use in a single gang 2" (51mm) x 4" (102) box located over doors. Each unit contains an audible horn signal which generates an 82 dBA sound pressure level at 10 ft. and a high intensity candela strobe. See page 14-9.

592 Transformer

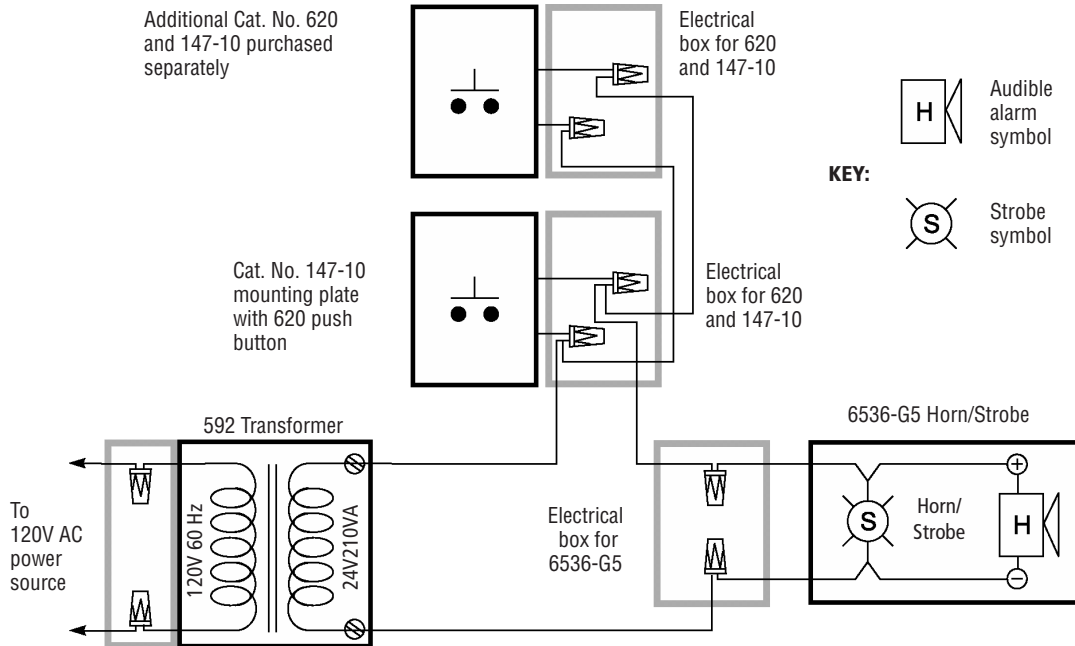
The Edwards Cat. No. 592 transformer is used to power the horn/strobe. It is equipped with a grounding wire and is suitable for installation in both plastic and metal boxes. See page 11-2.

620 Push Button

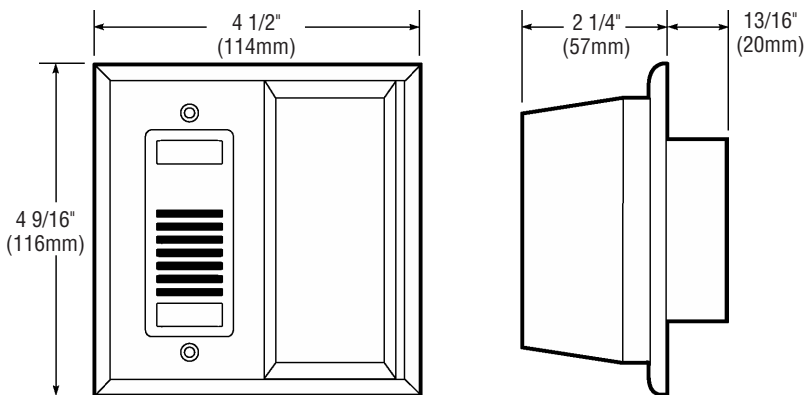
The Cat. No. 620 push button station provides call activation when installed in the 147-10 mounting plate (page 14-9). The plate has a stainless steel face. The switch is momentary. See page 10-9.



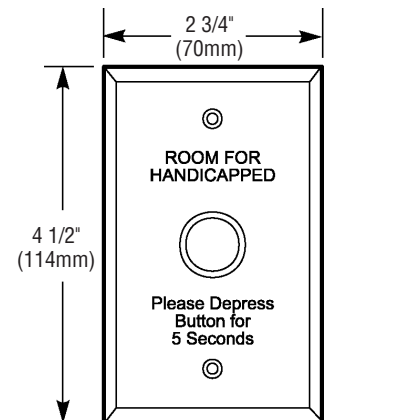
TECHNICAL INFORMATION



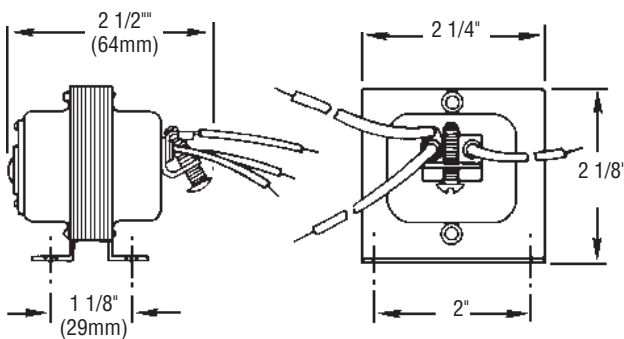
Connecting Cat. No. 7005-G5 Hotel Room Annunciator



Cat. No. 6536-G5



Cat. No. 147-10 w/ 620 Pushbutton



Cat. No. 592 Transformer

